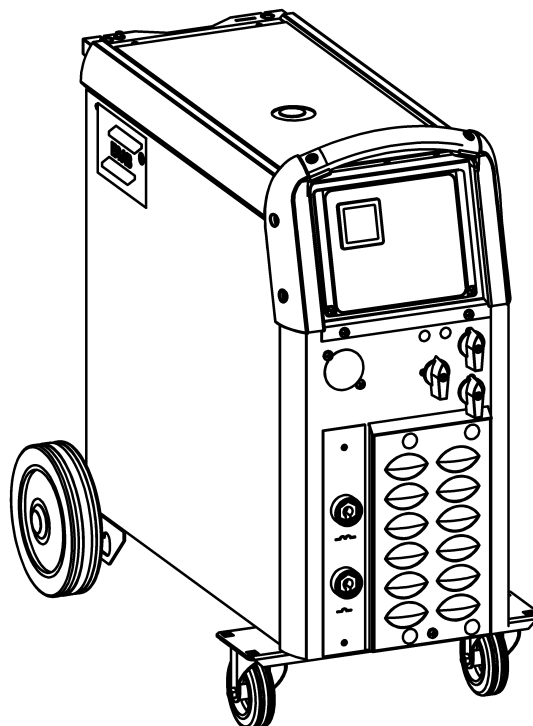


**Spare parts list**



**Valid for serial no. 226-xxx-xxxx**

**Ordering number**

0349 302 676	ESABMig 325	400-415V 3-50Hz
0349 303 562	ESABMig 325	400-415V 3-50Hz with meter
0349 302 613	ESABMig 325	230/400-415/500 3-50Hz; 230/440-460V 3-60Hz

Spare parts are to be ordered through the nearest ESAB agency. Kindly indicate type of unit, serial number, denominations and ordering numbers according to the spare parts list.

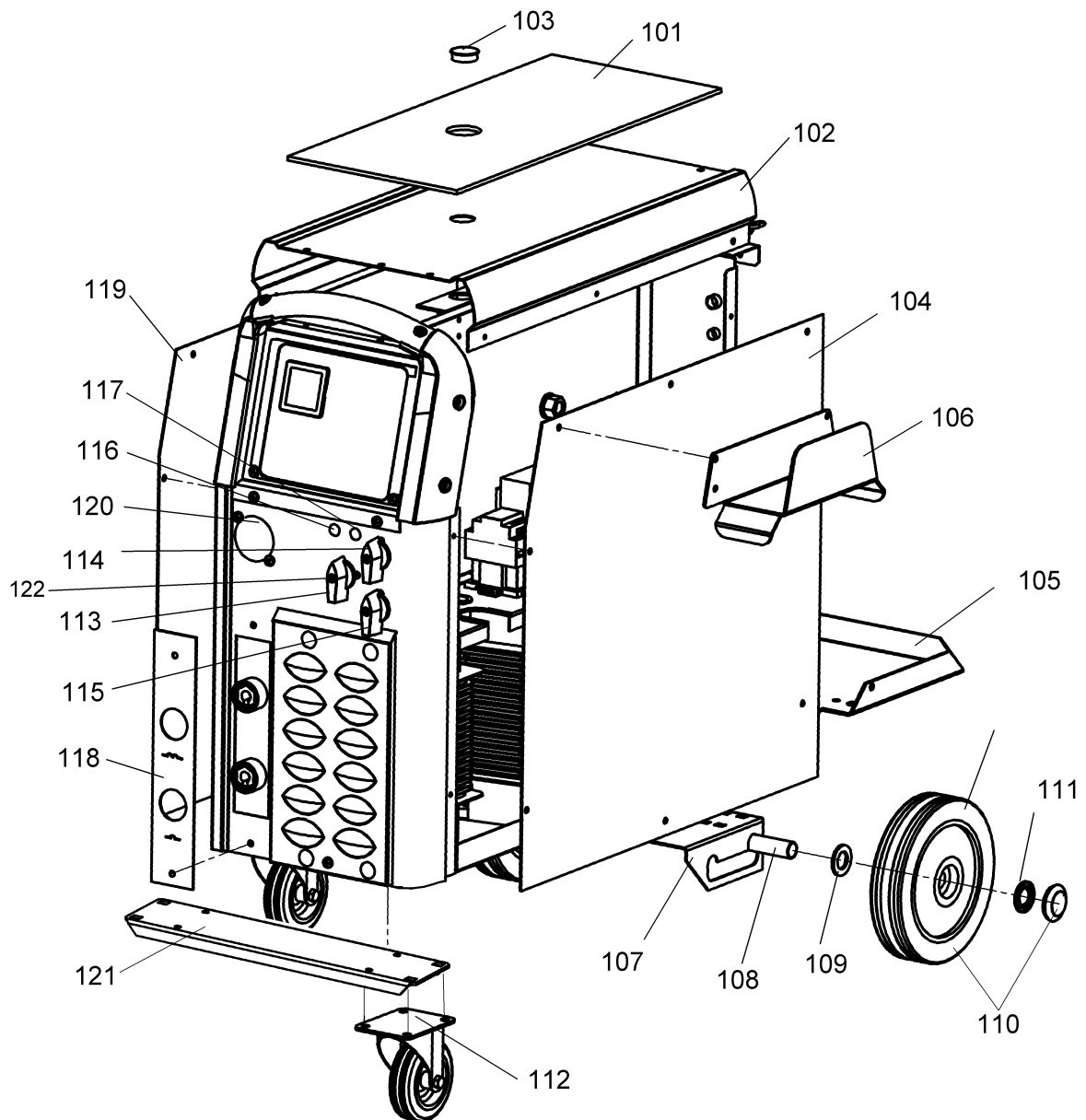
Maintenance and repair work should be performed by an experienced person, and electrical work only by a trained electrician. Use only recommended spare parts.

Rights reserved to alter specifications without notice.

(A) = accessory  
 C = component designation in the circuit diagram

Item	Qty	Ordering no.	Denomination	Notes	C
101	1	0349 302 700	Rubber mat		
102	1	0349 302 696	Cover		
103	1		Blind plug	Ø31	
104	1	0349 302 375	Side panel with text	Right	
105	1	0349 302 453	Shelf		
106			Holder (A)		
107	1	0349 302 318	Clamp		
108	1	0349 480 311	Shaft		
109	2	0349 481 044	Washer	Ø21	
110	2	0455 457 001	Wheel	Ø200	
111	2	0192 859 126	Locking washer	Ø200	
112	2	0349 483 461	Link wheel	Ø100	
113	1	0349 302 305	Switch		QF1
114	1	0193 945 001	Switch	10 step	SA1
115	1	0193 942 001	Switch	4 step	SA2
116	1	0369 733 002	Signal lamp	orange	HL2
117	1	0369 733 007	Signal lamp	white	HL1
118	1	0349 302 378	OKC plate		
119	1	0349 302 376	Side panel with text	Left	
120	1		Blind plug	Ø50	
121	1	0349 303 310	Support		
122	1	0349 302 253	Knob		

# ESABMig 325

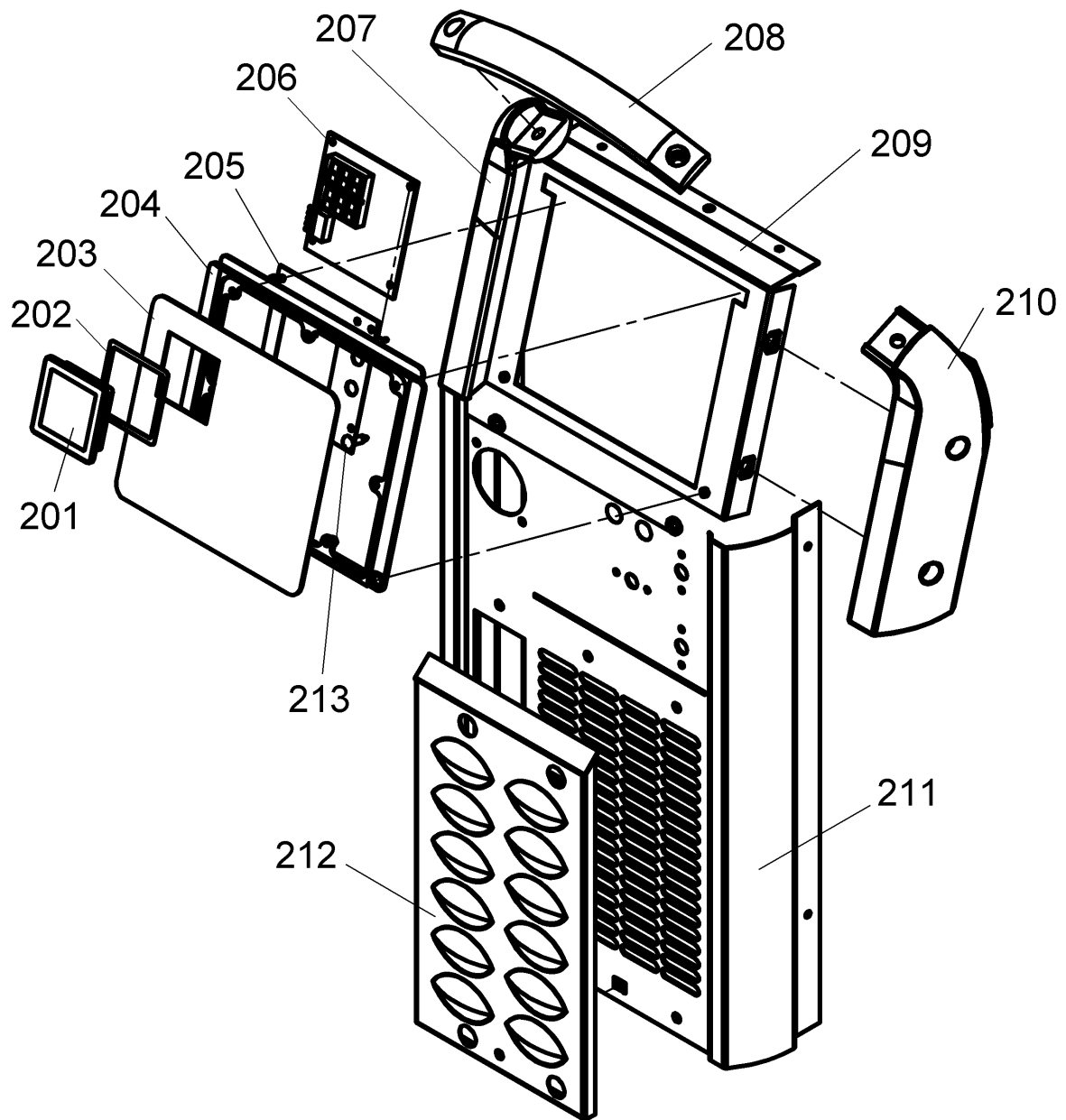


# ESABMig 325

(A) = accessory

C = component designation in the circuit diagram

Item	Qty	Ordering no.	Denomination	Notes	C
201	1	0455 172 001	Glass		
202	1	0455 174 001	Seal		
203	1	0349 302 286	Panel		
204	1	0459 118 002	Protection frame		
205	1	0349 302 287	Plate		
206	1		Circuit-board (A)		AP2
207	1	0349 302 283	Right corner		
208	1	0349 302 327	Handle		
209	1	0349 302 325	Upper front panel		
210	1	0349 302 282	Left corner		
211	1	0349 302 324	Lower front plate		
212	1	0349 302 326	Grill		
213	3	0455 226 004	Spacer		

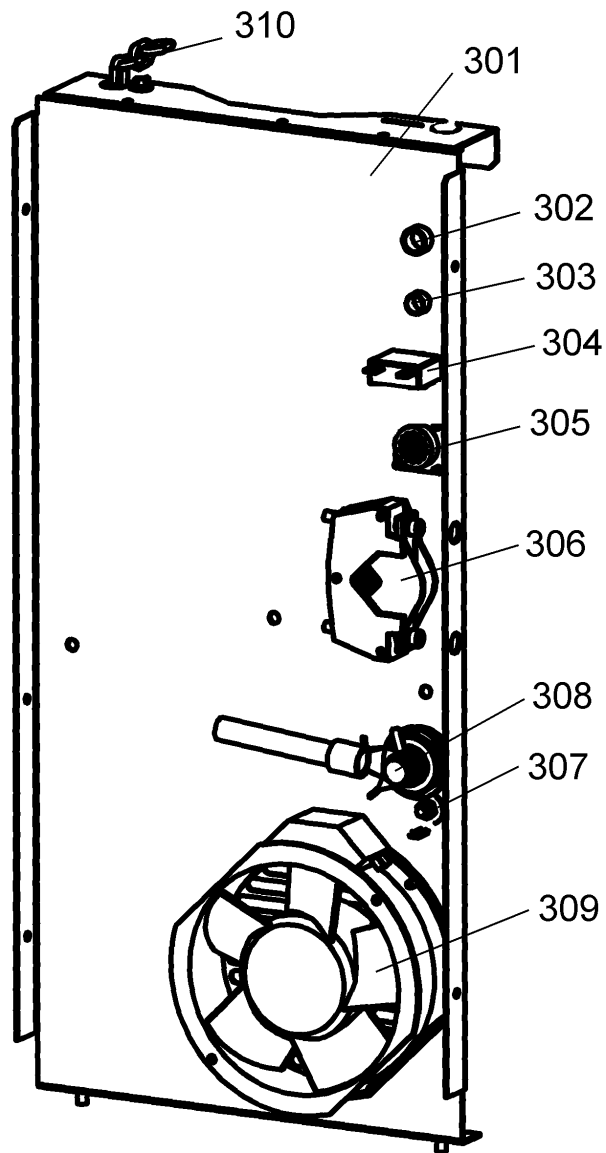


## ESABMig 325

(A) = accessory

C = component designation in the circuit diagram

Item	Qty	Ordering no.	Denomination	Notes	C
301	1	0349 302 321	Rear panel		
302	1		Blind plug	Ø16	
303	1		Blind plug	Ø13	
304	1	0193 586 102	Circuit breaker	10A	FU3
305	1	0368 544 005	Sleeve socket		XS1
306	1	0469 950 880	Cable inlet		
307	1	0349 303 303	Capacitor		C2
308	1	0160 362 881	Current terminal	1 pol	XS4
309	1	0349 483 510	Fan		EV1
310	1	0321 173 001	Securing chain		



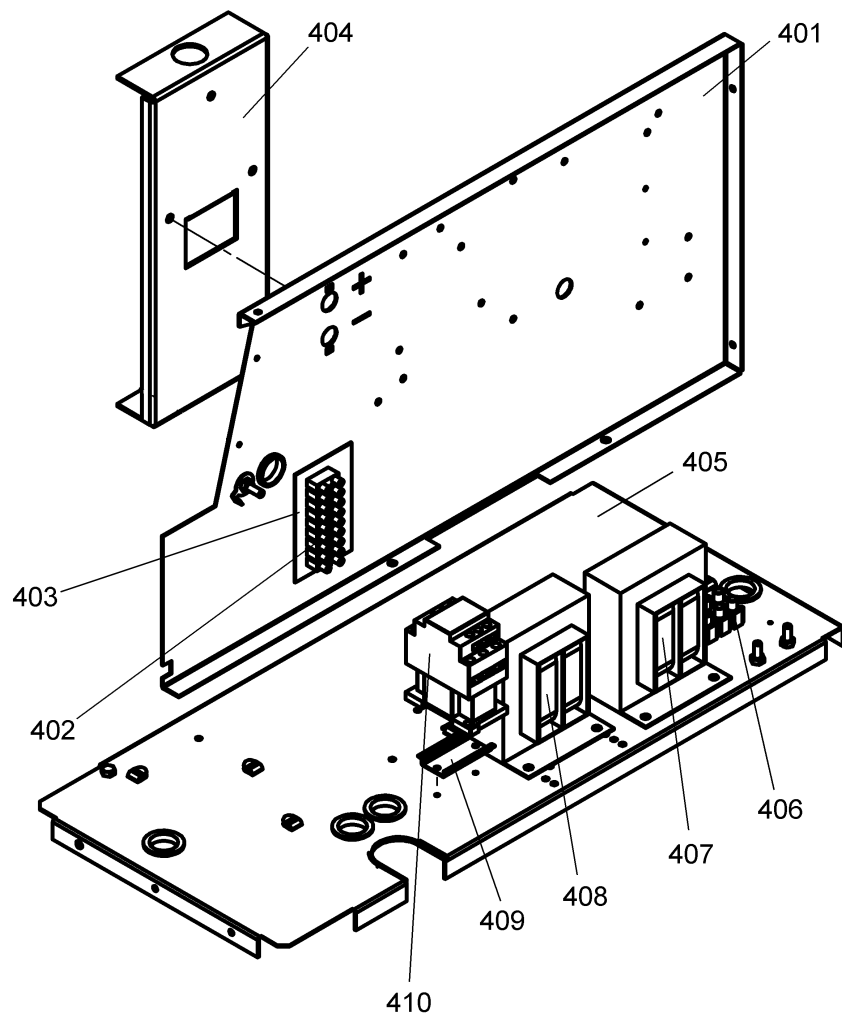
# ESABMig 325

(A) = accessory

C = component designation in the circuit diagram

Item	Qty 400– 415V	Qty 230– 500V	Ordering no.	Denomination	Notes	C
401	1	1	0349 302 366	Intermediate plate		
402	1	1	0162 781 011	Terminal	$\frac{3}{4}$	XT2
403	1	–	0349 491 160	Plate		
	–	1	0349 491 163	Plate		
404	1	1	0349 302 705	Support		
405	1	1	0349 302 338	Intermediate plate		
406	1	1	0162 781 002	Terminal	$\frac{1}{4}$	XT3
407	1	1		Transformer (A)		TC2
408	1	–	0455 633 001	Transformer		TC1
	–	1	0455 634 001	Transformer		TC1
409	1	1	0349 491 596	Rail		
410	1	–	0193 297 103	Contacteur		KM1
	–	1	0193 502 101	Contacteur		KM1





## ESABMig 325

(A) = accessory

C = component designation in the circuit diagram

Item	Qty	Ordering no.	Denomination	Notes	C
501	1	0349 302 344	Transformer		TM1
502	1	0455 328 880	Inductor		L1
503	1	0349 302 349	Resistor		R1
504	1	0349 492 823	Rail		
505	1	0349 492 824	Rail		
506	2	0160 362 881	Current terminal		XS2 XS3
507	1	0349 302 348	Plate		
508	1	0349 302 352	Capacitor		C1
509	1	0349 302 346	Diode bridge		V1-V6
511	1	0349 302 354	Bracket		
512	1	0455 495 001	Rail		
513	1	0349 302 317	Bottom plate		

